



OUR COMPANY PROFILE

Contents Of Table

01

ABOUT US

We are a full service custom manufacturer of bearing products

Vision & Mission

To be a true leader in the bearing industry, by expanding into more automotive and industrial markets and enabling everyone to be eligible for our services

02

03

PRODUCT

SKF thrust ball bearings are manufactured as single direction or double direction thrust ball bearings.

CONTACT US

standard and custom types of seals, weather is automotive seals, window seals, or any custom seals we manufacturer all.

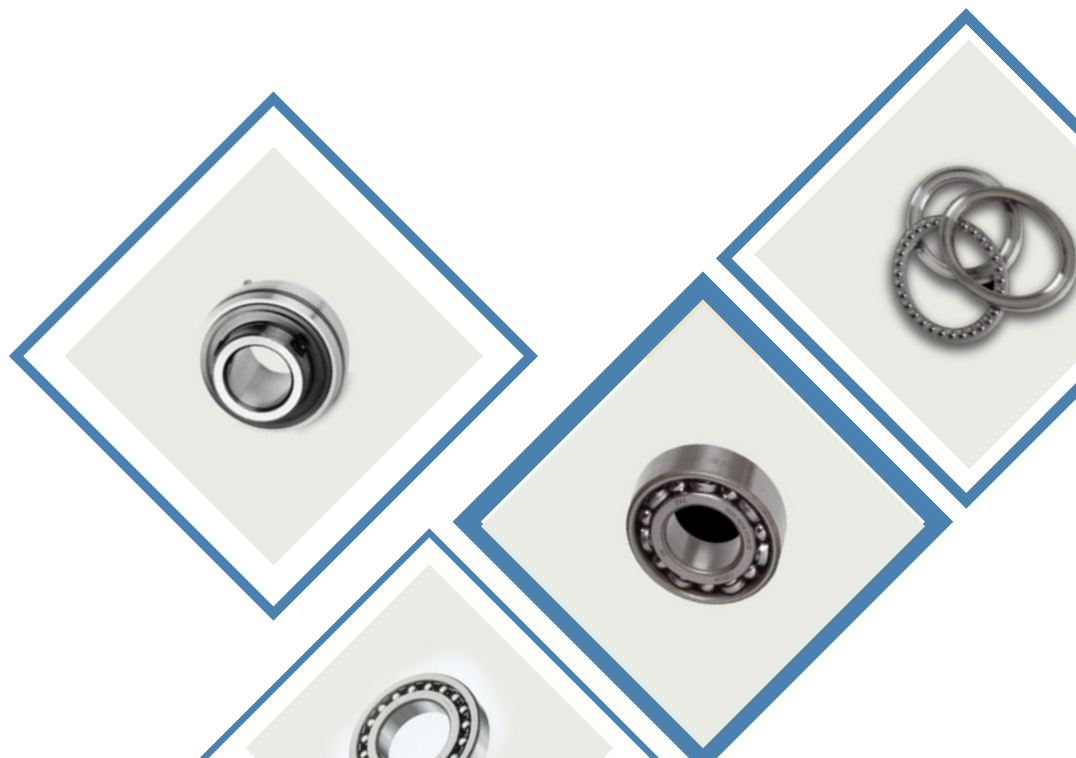
04

About Us

Company Overview

SHIV BEARING AGENCY is a young group established in 2020 & the Indian Associate of the internationally acclaimed International SKF & NTN Japan Group Along with their extensive network of authorized dealers placed all across India, adding value and providing solutions to industries all across India. Further, we are hereby very pleased to inform you that International & SKF Group has announced as their Industrial & authorized Distributor respectively and is the authorized source of NTN & SKF brand bearings & accessories in the territory of India. Also, we have our Corporate & Registered Office in rohtak Rd, Sampla, Haryana

Using a good quality bearing is not sufficient that guarantees smooth working of machine without any trouble. One needs to fit the bearing with proper mounting tool on a shaft or a good quality sleeve and housing, lubricate it with good quality lubricant like grease, protect it with good quality seals and keep a track of it's condition during operation as well.



“We help industries to source anything difficult”



OUR Vision

We believe that building unique and effective routes to high growth is advanced technology. The only key to ensure fundamental growth for customers and manufacturers. We achieve this through recruitment & retention of best-of-breed and best-in-class vendors, customers, and employees



OUR Mission

We support our customers business by providing products, bearings tools, service, technical integration and technology expertise and an environment to enable our customers to use the best-in-class technology efficiently and profitably



Why Choose Us ?

Bearings have enabled the growth of industries, revolutionized transportation, and enhanced the overall quality of human life. & SKF has been there for the better part of the process. Over time, we've kept pushing the boundaries of what's possible. And today, we continue to develop bearing technologies that support progress and contribute to a better everyday life



Worldwide Delivery



Vast Categories

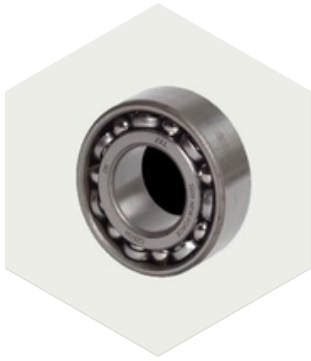


Secure Payment



360+ Brands

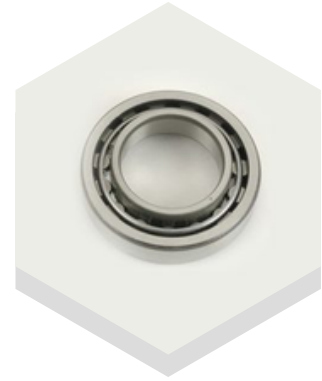
Wide Range of Products



Double Row Angular Contact Ball Bearings



Double Row Self-Aligning Ball Bearings



Single Row Angular Contact Ball Bearings



Single Row Deep Groove Ball Bearings



Thrust Ball Bearings



Cross – Split Roller Bearings



Double Row Spherical Roller Bearings

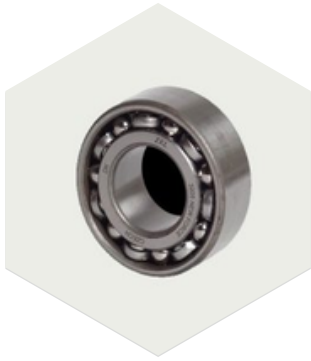


Single Row Cylindrical Roller Bearings



Single Row Tapered Roller Bearings

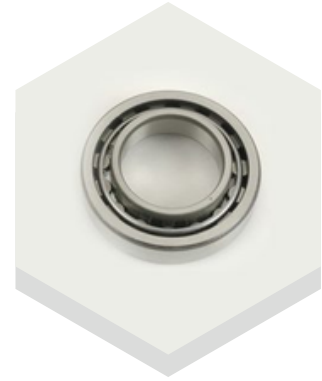
Wide Range of Products



Double Row Angular Contact Ball Bearings



Double Row Self-Aligning Ball Bearings



Single Row Angular Contact Ball Bearings



Single Row Deep Groove Ball Bearings



Thrust Ball Bearings



Cross – Split Roller Bearings



Double Row Spherical Roller Bearings



Single Row Cylindrical Roller Bearings

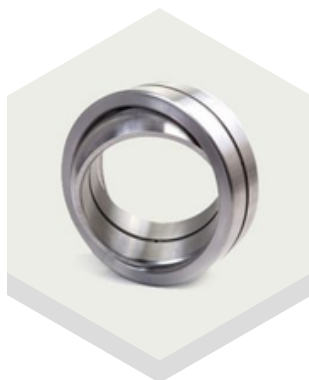


Single Row Tapered Roller Bearings

Wide Range of Products



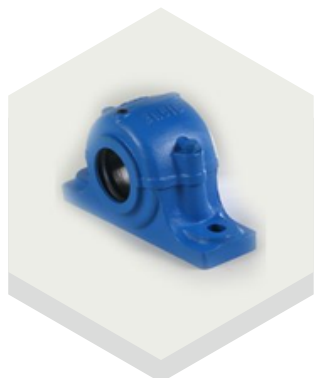
Spherical Roller
Thrust Bearings



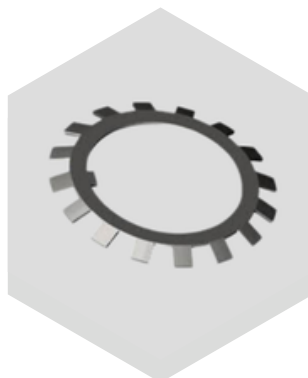
Spherical Plain
Bearing



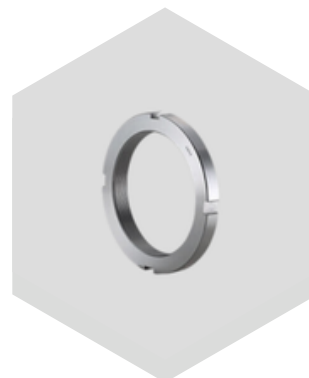
Unit Bearing



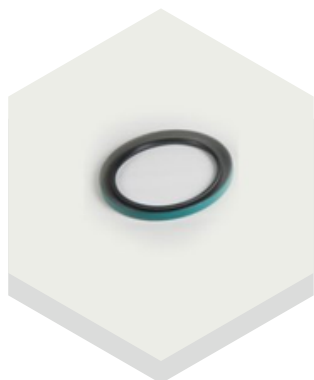
Housing



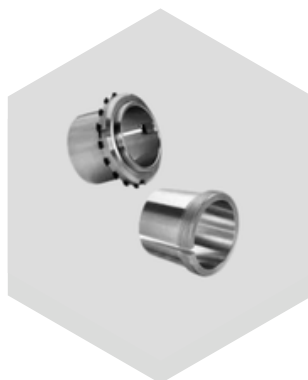
Lock Washer



Locknut



Oil Seals



Sleeves



Bearing Fitting
Tool

Wide Range of Products



Bearing Puller



SKF & NTN Japan



Hydraulic Puller



industrial eco drive belt



cogged belt



timing belt



Aluminum Timing
Belt Idler Pulley
Bearing



specialty belts



fenner belts

Wide Range of Products



scrape gauge bearing



ucp300 series



UCPA200 series



UCF200 series



UCF300 series



UCFA200 series



UCFB200 series



UCFL200 SERIES



UCFL300 SERIES

Wide Range of Products



UCFC200 SERIES



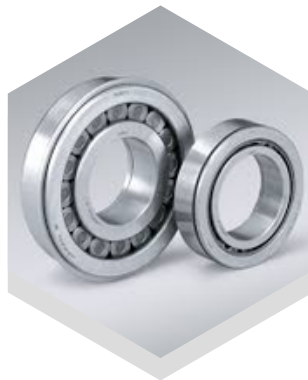
UCFCX00 SERIES



deep groove ball bearing



self aligning ball bearing



cylindrical roller bearing



bearing block



lapered rolle



ihrusl bearing



angular contact ball bearing

Wide Range of Products



needle roller bearing



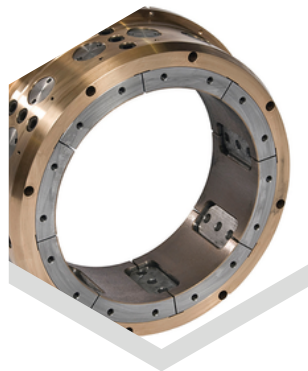
ball bearing



roller bearing



fluid bearing



magnetic bearing



plain bearing



lapped roller



thrust ball bearing



thrust roller bearing

Wide Range of Products



skf bearing grease



skf lubrication grease



skf lubrication grease



skf lubrication grease



skf lubrication
grease



grease pump

Industrial Application



Food



Agriculture



Marine



Textiles



Pharmaceutica



Aerospace



Steel Works



SBA
SHIV BEARING AGENCY

OUR CONTACT US



+9996537051. 9991069112. 9671141131



***sba.purchase@gmail.com
info@shivbearing.in
enquiry@shivbearing.in***



***BUS STAND, Sampla -rohtak Rd, Sampla, Haryana
124501***